



Submersible Dewatering
Sewage & Non Clog
Pumps Range

DEWATERING PUMPING SOLUTIONS

SALES, RENTAL, AFTER SALES SERVICES FOR
CONSTRUCTION, MINING, HEP & OTHER INDUSTRIES



Submersible Pumps (CDW, CSW & CNC Range)

Cosmos CDW, CSW & CNC series of submersible pumps have been designed and built to offer high performance, reliability and ease of use across multiple industries.



Construction



Mining Site Dewatering



Hydro Electric Projects



Thermal Power Plant



Tunnel



Highways



Bridges



Infra Projects



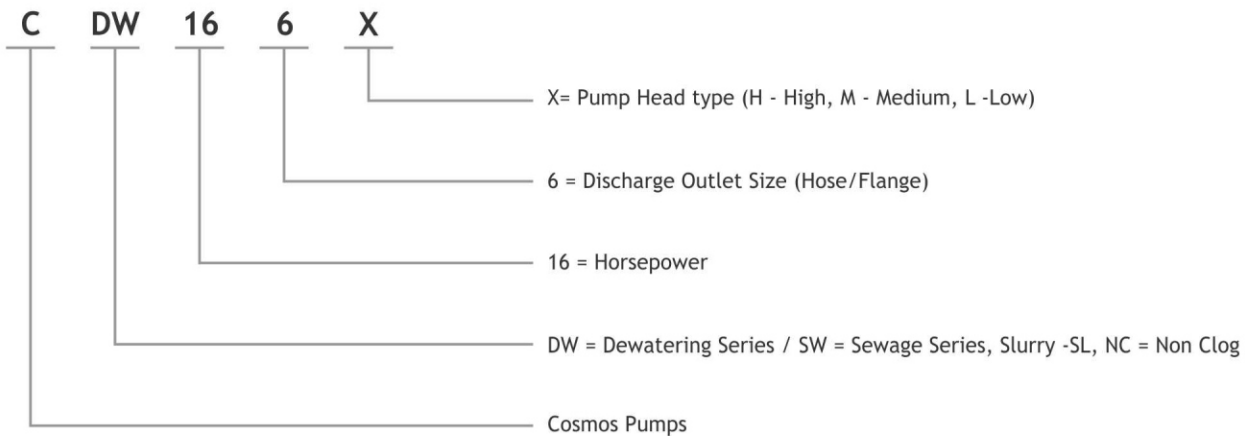
controlling Flood Water



Municipal Application

Cosmos pumps offer wide range of electric driven Dewatering, non-clog and Sewage pumps which are Modular, light weight and portable in design, offering ease of operation and servicing thus giving less down time and more pumping.

MODEL NUMBER NOMENCLATURE



Examples amples

CDW166M : Cosmos Dewatering Pump, 16 horsepower, 6" discharge nozzle size, Medium head

CSW106L : Cosmos Sewage Pump, 10 horsepower, 6" discharge nozzle size, Low head

CNC104M : Cosmos Non Clog Pump, 10 horsepower, 4" discharge nozzle size, Medium head

Competitive Edge of Cosmos Pumps

POWER CABLE

Water proof/ oil proof, PVC Insulated, double sheathed, copper conductor flexible cable 20 mtrs length

IMPROVED CABLE SEALING

Steel grip cable gland ensures protection against water leakage from cable entry side

MOTOR PROTECTION

Class H Insulation, B1-metallic thermal switches embedded in stator winding which trip the motor in the event of excessive high temperature

BALL BEARING

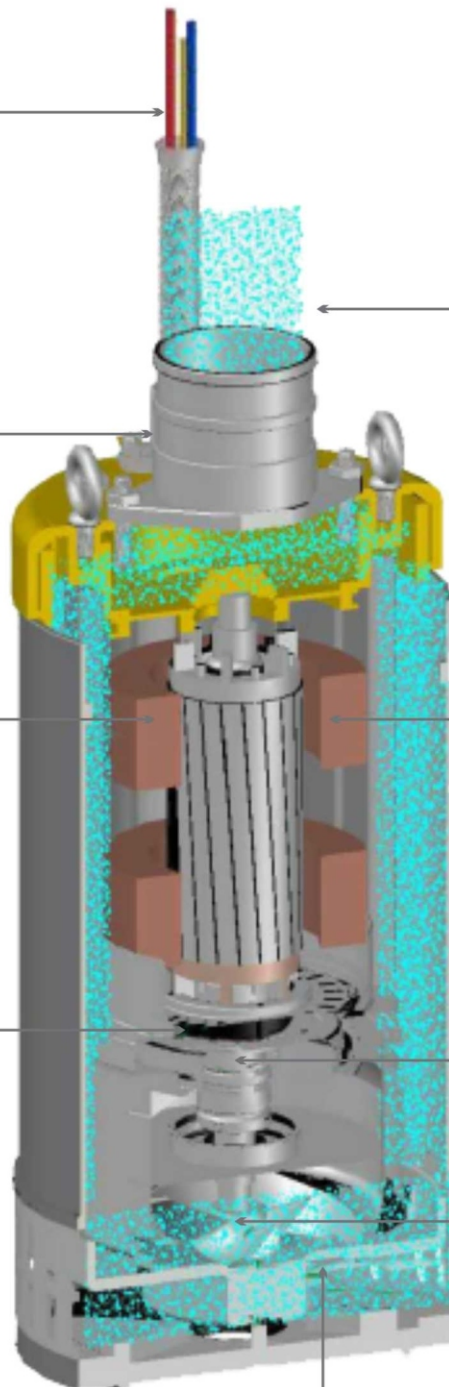
All (SKF make) Ball Bearings are filled with high temperature grease containing special anti-corrosive additive which ensures no maintenance required for very long time

EXTENDED PERFORMANCE

Pump design ensures all-round motor cooling for better performance

LIGHT AND MODULAR

Light weight modular design with Al Alloy Top Bracket, Outer portable Casing (upto 10HP) & Pump Base makes it best suited for application.



HIGH CORROSION RESISTANCE

All hardware, strainer, outlet, lifting hooks & seal housing are in SS for maximum corrosion resistance & life longevity

STATOR CASING

Aluminium alloy stator casing for best heat dissipation, corrosion resistance life longevity with modular arrangement, makes it easy to repair

MODULAR SEALING SOLUTION

Twin SS seals in tandem (TC vs TC) for best sealing against water leakage into motor & ensuring long life between service intervals

IMPROVED ABRASIVE RESISTANCE

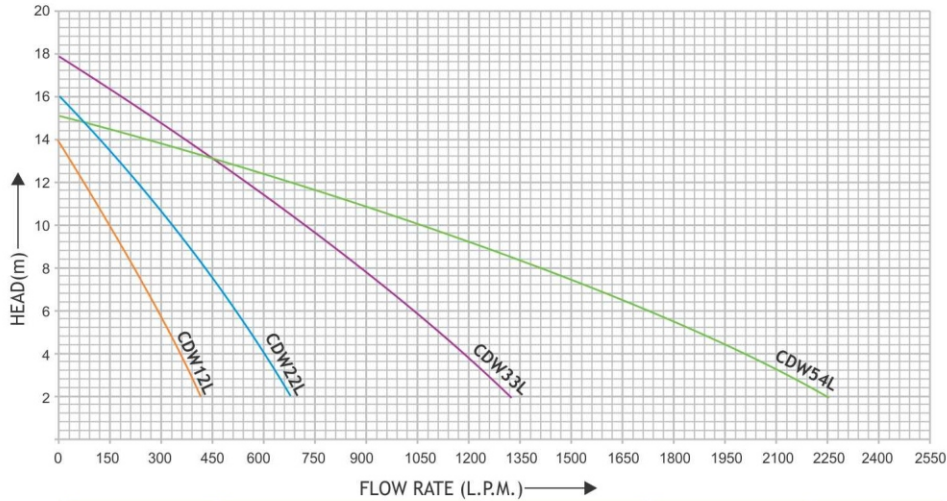
Nitride hardened Ss-410 HRC (52-55) Impellers for abrasive application

OPTIMIZED EFFICIENCY

Field adjustable Nitrile Rubber-moulded Diffuser/Wear Plate optimize efficiency throughout the life of the pumps.

Dewatering Pumps Technical Data with Performance Curves

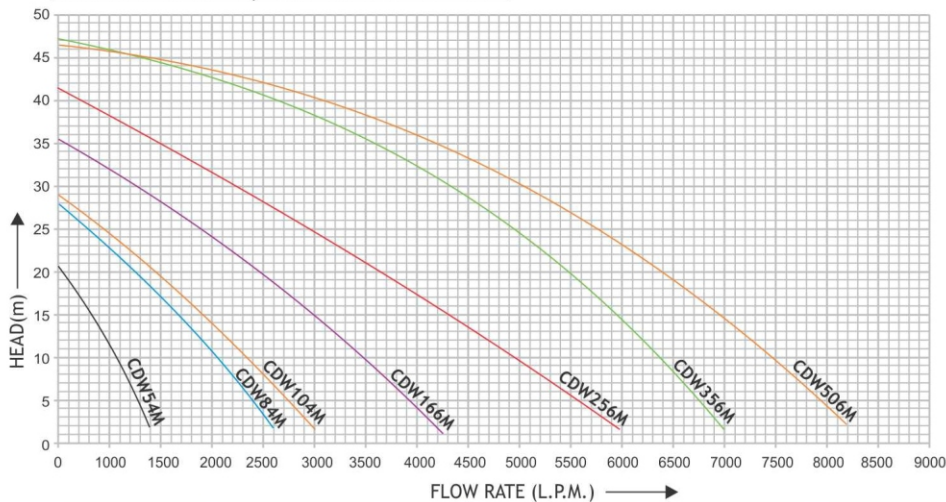
CDW Series, Low Head



Model#	Dimension		Power	Max. Flow Rate	Shut-off Head	Weight
	H(mm)	Ø(mm)	HP	LPM	Mtr.	KG
CDW12L	382	160	1.5	450	14	16
CDW22L	414	160	2	650	16	18
CDW33L	575	190	3	700	16	32
CDW54L	587	276	5	2250	15	40



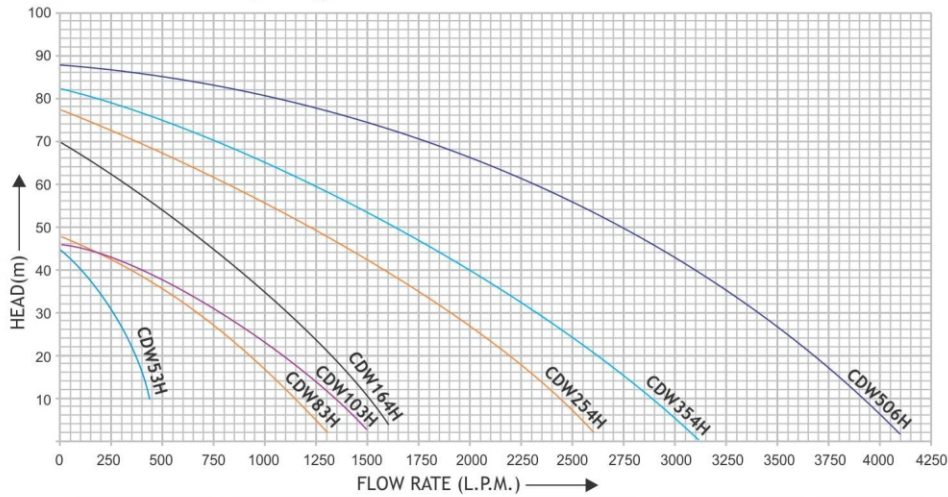
CDW Series, Medium Head



Model#	Dimension		Power	Max. Flow Rate	Shut-off Head	Weight
	H(mm)	Ø(mm)	HP	LPM	Mtr.	KG
CDW54M	587	276	5	1400	20	40
CDW84M	675	276	7.5	2600	28	55
CDW104M	700	276	10	3000	29	65
CDW166M	845	360	16	4300	35	125
CDW256M	915	402	25	6000	41	185
CDW356M	1015	410	35	7000	47	225
CDW508M	1038	410	50	8200	46	265



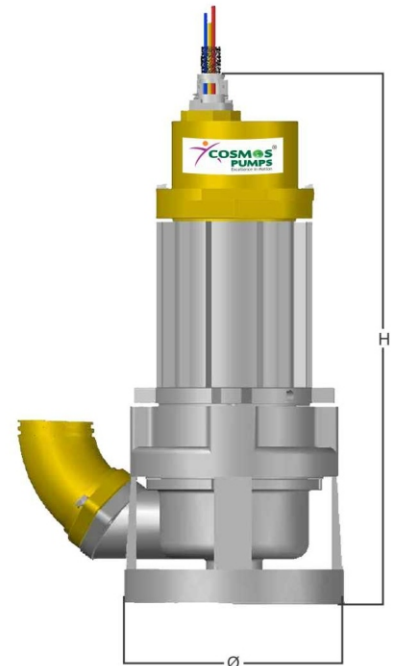
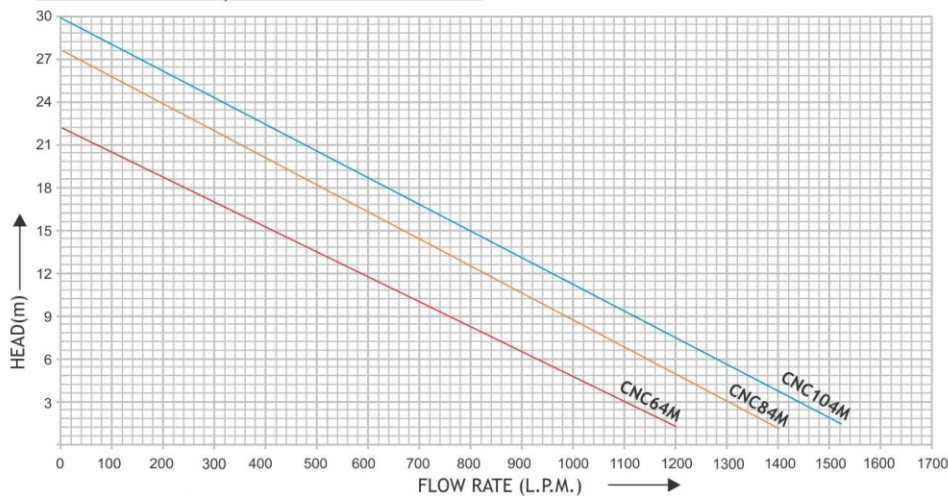
CDW Series, High Head



Model#	Dimension		Power HP	Max. Flow Rate LPM	Shut-off Head Mtr.	Weight KG
	H(mm)	Ø(mm)				
CDW53H	605	276	5	400	45	53
CDW83H	650	276	7.5	1450	46	60
CDW103H	685	276	10	1200	47	66
CDW164H	845	360	16	1450	70	140
CDW254H	915	402	25	2500	78	195
CDW354H	1015	410	35	3000	81	225
CDW506H	1038	410	50	4100	88	375

Non Clog Pumps Technical Data with Performance Curves

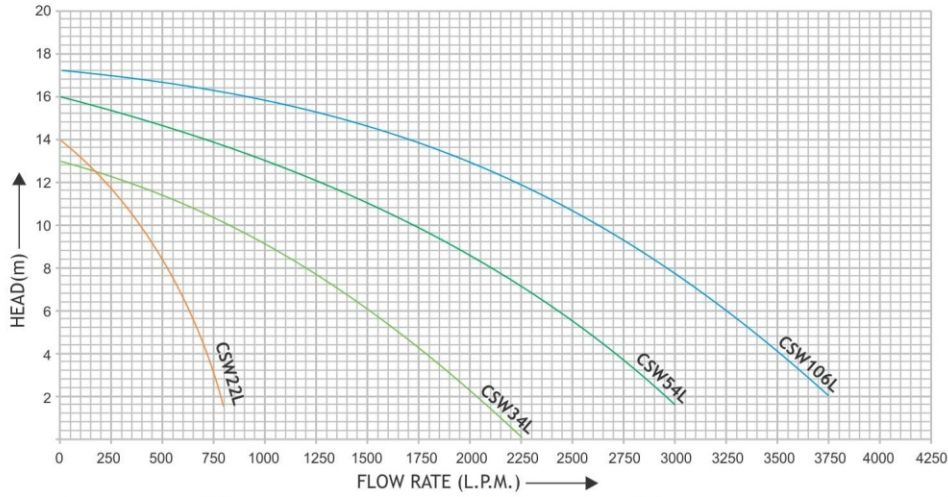
CNC Series, Medium Head



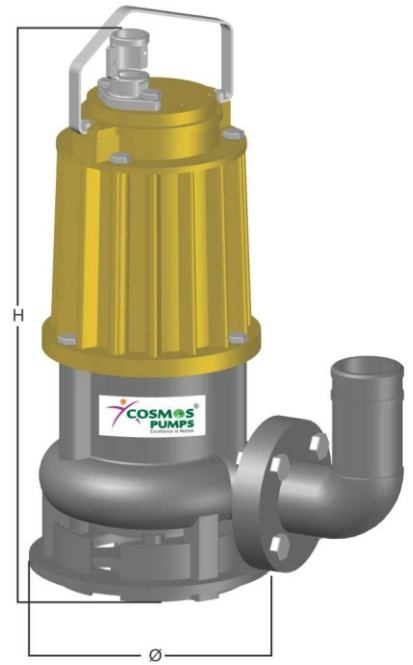
Model#	Dimension		Power HP	Max. Flow Rate LPM	Shut-off Head METER	Weight KG
	H(mm)	Ø(mm)				
CNC64M	763	419	6	1200	22	60
CNC84M	793	419	8	1400	28	65
CNC104M	803	419	10	1500	30	70

Sewage Pumps Technical Data with Performance Curves

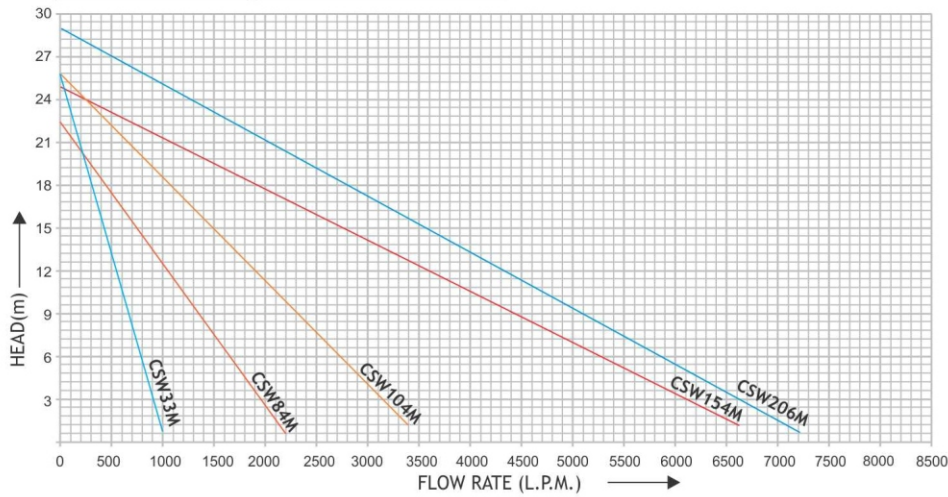
CSW Series, Low Head



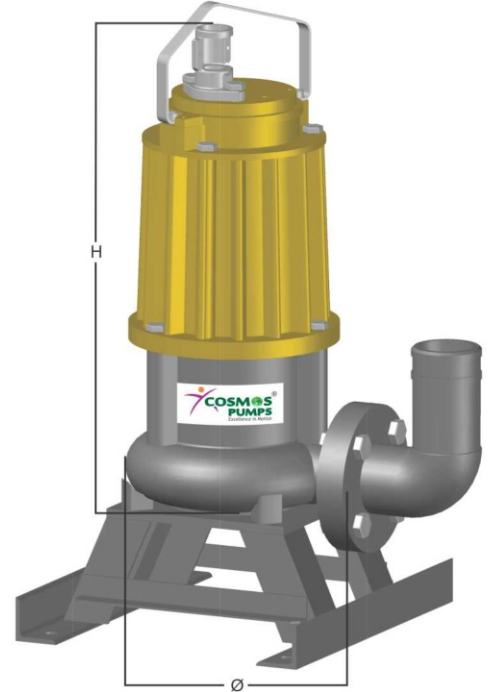
Model#	Dimension		Power HP	Max. Flow Rate LPM	Shut-off Head METER	Weight KG
	H(mm)	Ø(mm)				
CSW22L	585	380	2	2200	13	53/62
CSW34L	760	525	3	800	14	115/155
CSW54L	845	600	5	3000	16	145/205
CSW106L	880	755	10	3700	17	200/268



CSW Series, Medium Head



Model#	Dimension		Power HP	Max. Flow Rate LPM	Shut-off Head METER	Weight KG
	H(mm)	Ø(mm)				
CSW33M	690	485	3	1000	26	105/145
CSW84M	840	665	7.5	2500	22	185/225
CSW104M	840	665	10	3500	26	185/253
CSW156M	1250	1075	15	6500	25	310/370
CSW206M	1155	800	20	7500	28	310/380



Accessories (Optional)

Cosmos Pumps recommends following accessories to our valued customers. (available on request)

Control Panel



All Cosmos Control Panels Protect against - Earth leakage faults, Current overload of the pump, Phase imbalance/ rotation / Loss, Under or Over voltage - if the incoming voltage is too low or high respectively.

Agitators

Cosmos Sewage pumps & Slurry Pump can be fitted with agitator which eliminate solids accumulating on the sump floor and can significantly reduce maintenance costs resulting from digging out sumps and downtime.



Auto Coupling



An auto coupling set is also known as a guide rail set/system. This is a slide rail assembly that enables a pump to be easily lifted or lowered within a sump, for cleaning or maintenance duties without the need to disconnect fittings, fixings or pipe work.

Miller Coupling



Cosmos Miller Coupling are effective in maintaining the continuity along with the pipes, for critical sealing purpose.

Pipes for Water transfer

Cosmos offers rubber suction & discharge hoses with quick release couplings.



Pump Sensor

Cosmos Pump provides a number of sensors to monitor the status of a pump such as thermal sensor and moisture sensor .

Zinc Anodes

Zinc anodes are available for extra protection against salt water corrosion.

Seal kit

The seal kit is the proper selection of high quality components for a mechanical seal change to ensure trouble-free operation after servicing.

- O-ring kit
- Mechanical shaft seal



Instant service pack

The instant service pack is a preassembled, tested and ready-to-use seal system containing the mechanical shaft seals, bearings, gaskets and oil to ensure trouble-free operation. It offers a quick onsite repair option due to ease of installation and therefore reduces the machine downtime cost



Wear part kit

The wear part kit is a typical selection of components to bring the pump performance back to factory standard. The ideal solution for a machine overhaul or refurbishment

- Impeller
- Wear plate
- Diffuser
- Impeller nut

-  **Manufacturing Unit**
-  **Cosmos Office**
-  **Sales & Service Associates**

 Delaware
United State of America

J&K Srinagar
Kulu
Dehradun
Faridabad
Delhi
Jaipur
Lucknow
Nepal Kathmandu
Patna
Silliguri
Dubai
Surat
Mumbai
Pune
Hyderabad



COSMOS PUMPS PVT. LTD.
(Subsidiary of Cosmos Pumps Inc. USA)

India

I-23, DLF Industrial Area-I, Faridabad, (HR.)

Phone : 0129-4891008

E-mail : Cosmos@CosmosPumps.com

USA

16192, Coastal Highway, Lewes, Delaware - 19958

Country of Sussex

Phone : +1 910 420 4245

